

NOTE: HF = METAL FILM RESISTORS  
 FP = FLAME PROOF RESISTORS  
 FUS = FUSIBLE RESISTORS

*Check*

*Check for names*

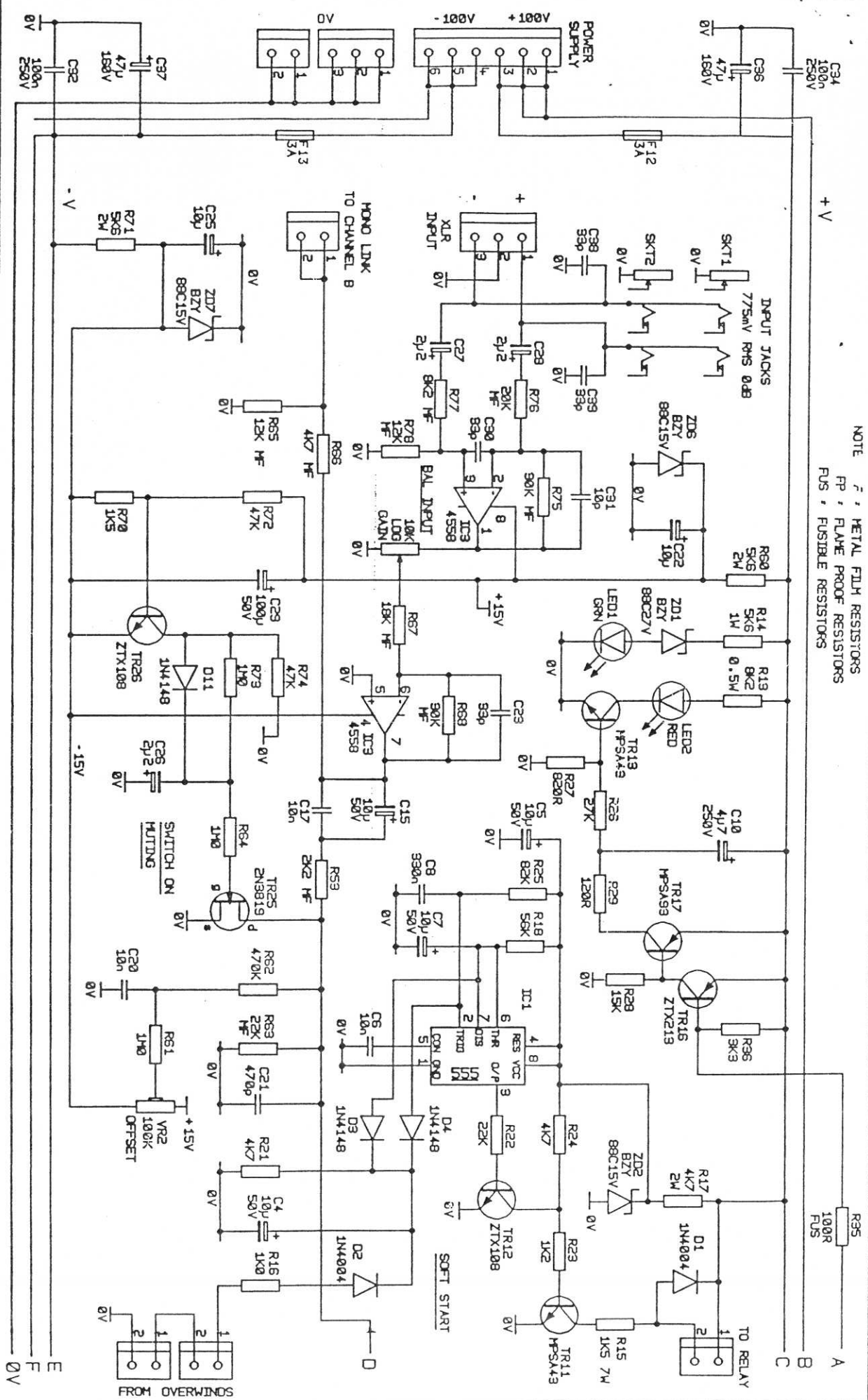
PPX1200 AMPLIFIER  
 CHANNEL B  
 CIRCUIT DIAGRAM

ISSUE 3 - 24.8.87  
 ISSUE 4 - 25.11.87 (H359)  
 ISSUE 5 - 3.5.88 (M417)

PCB1081/12

SHT. 1  
 OF 2  
 ISSUE 5

<PC1081A.DGND



NOTE  
 F = METAL FILM RESISTORS  
 FP = FLAME PROOF RESISTORS  
 FUS = FUSIBLE RESISTORS

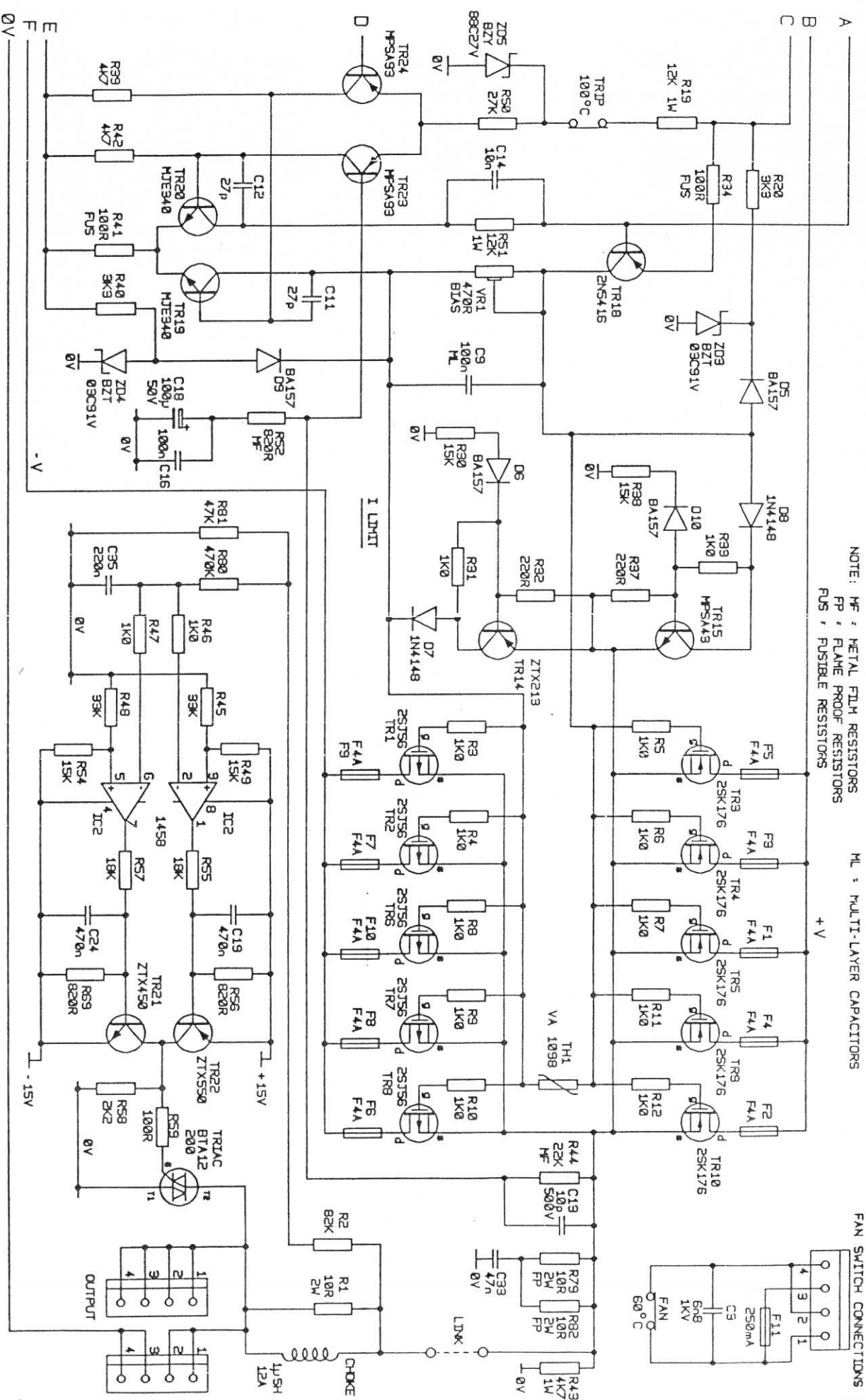
PPX1200 AMPLIFIER  
 CHANNEL A  
 CIRCUIT DIAGRAM  
 (PC1080A.D04D)

ISSUE 3 - 24.8.87  
 ISSUE 4 - 25.11.87 (M359)  
 ISSUE 5 - 3.5.88 (M417)

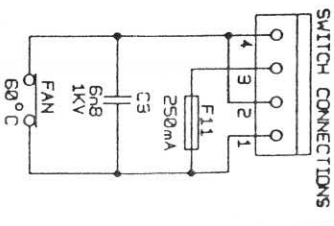
PCB1080/12

SHT. 1  
 OF 2

ISSUE 5



NOTE: MF : METAL FILM RESISTORS  
 FP : FLAME PROOF RESISTORS  
 FUS : FUSIBLE RESISTORS  
 ML : MULTI-LAYER CAPACITORS

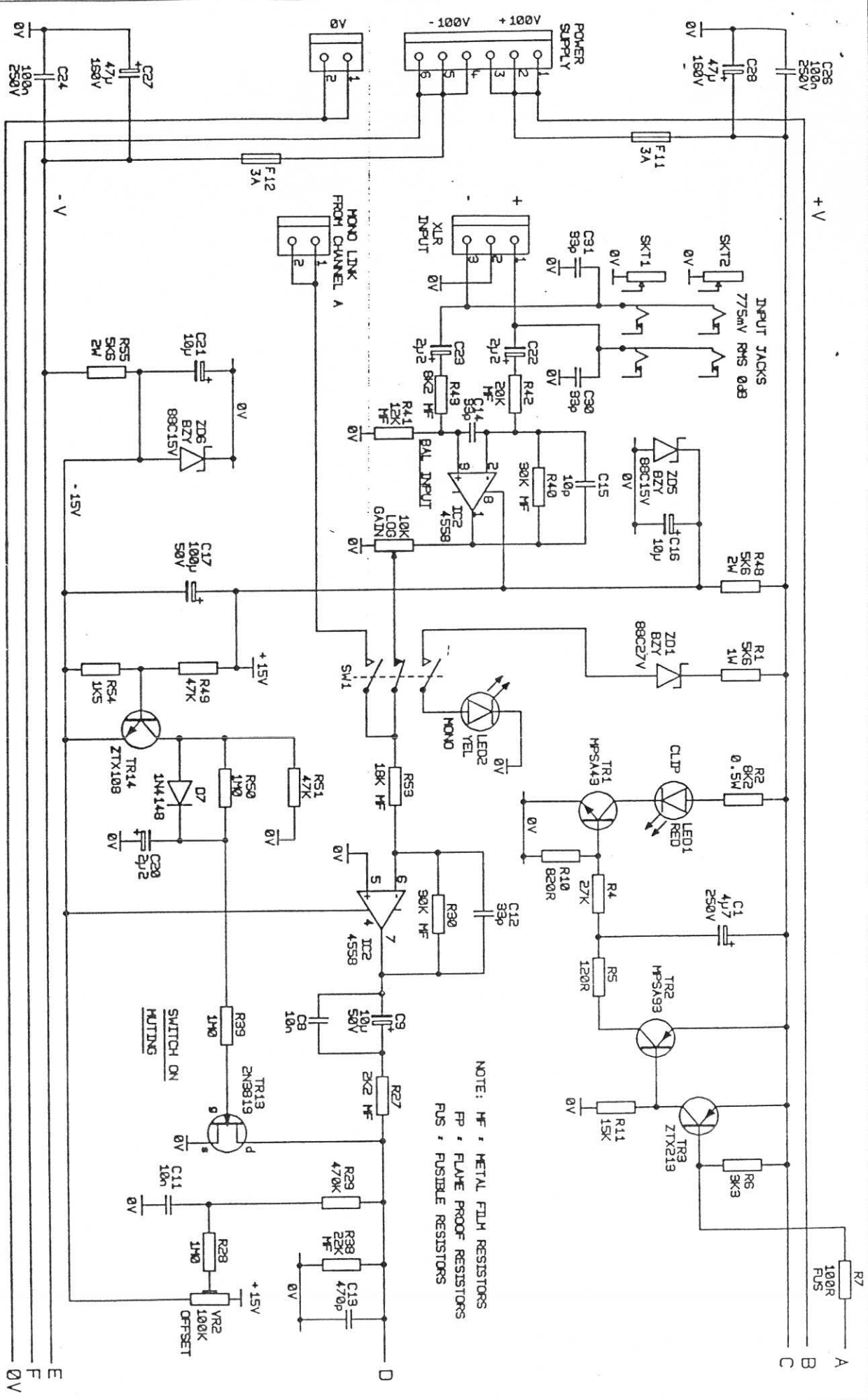


PPX 1200 AMPLIFIER  
 CHANNEL A  
 CIRCUIT DIAGRAM

ISSUE 3 : 24.8.87 (M353)  
 ISSUE 4 : 28.8.87 (M417)  
 ISSUE 5 : 3.5.88 (M417)

PCB1080/12

SH-T. 2  
 OF 2  
 ISSUE 5



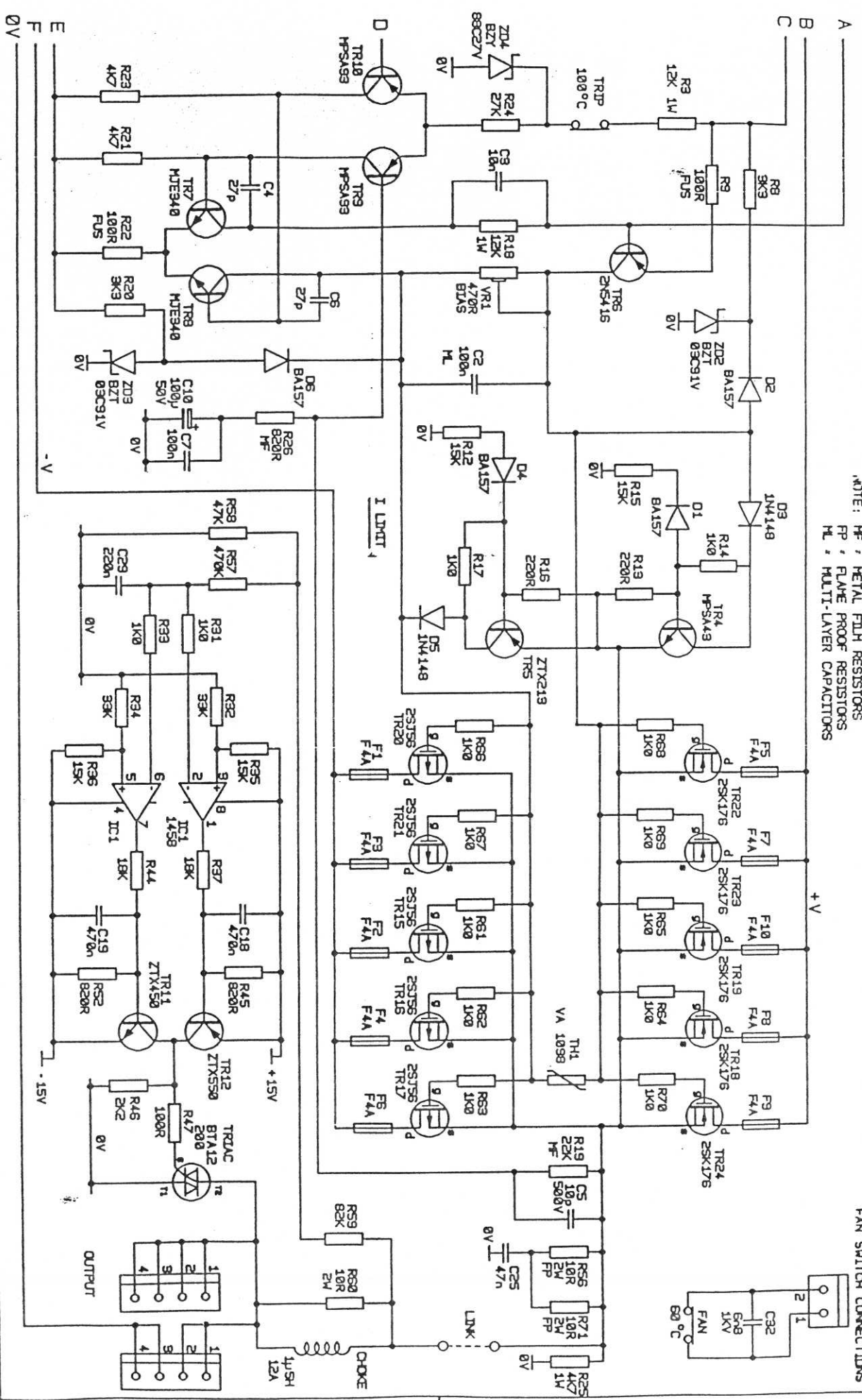
NOTE: MF : METAL FILM RESISTORS  
 FP : FLAME PROOF RESISTORS  
 FUS : FUSIBLE RESISTORS

PPX1200 AMPLIFIER  
 CHANNEL B  
 CIRCUIT DIAGRAM

ISSUE 3 - 24.8.87  
 ISSUE 4 - 25.11.87(M359)  
 ISSUE 5 - 3.5.88 (M417)

PCB1081/12

SHT. 1  
 OF 2  
 ISSUE 5



NOTE: MF - METAL FILM RESISTORS  
 FP - FLAME PROOF RESISTORS  
 ML - MULTI-LAYER CAPACITORS

FAN SWITCH CONNECTIONS

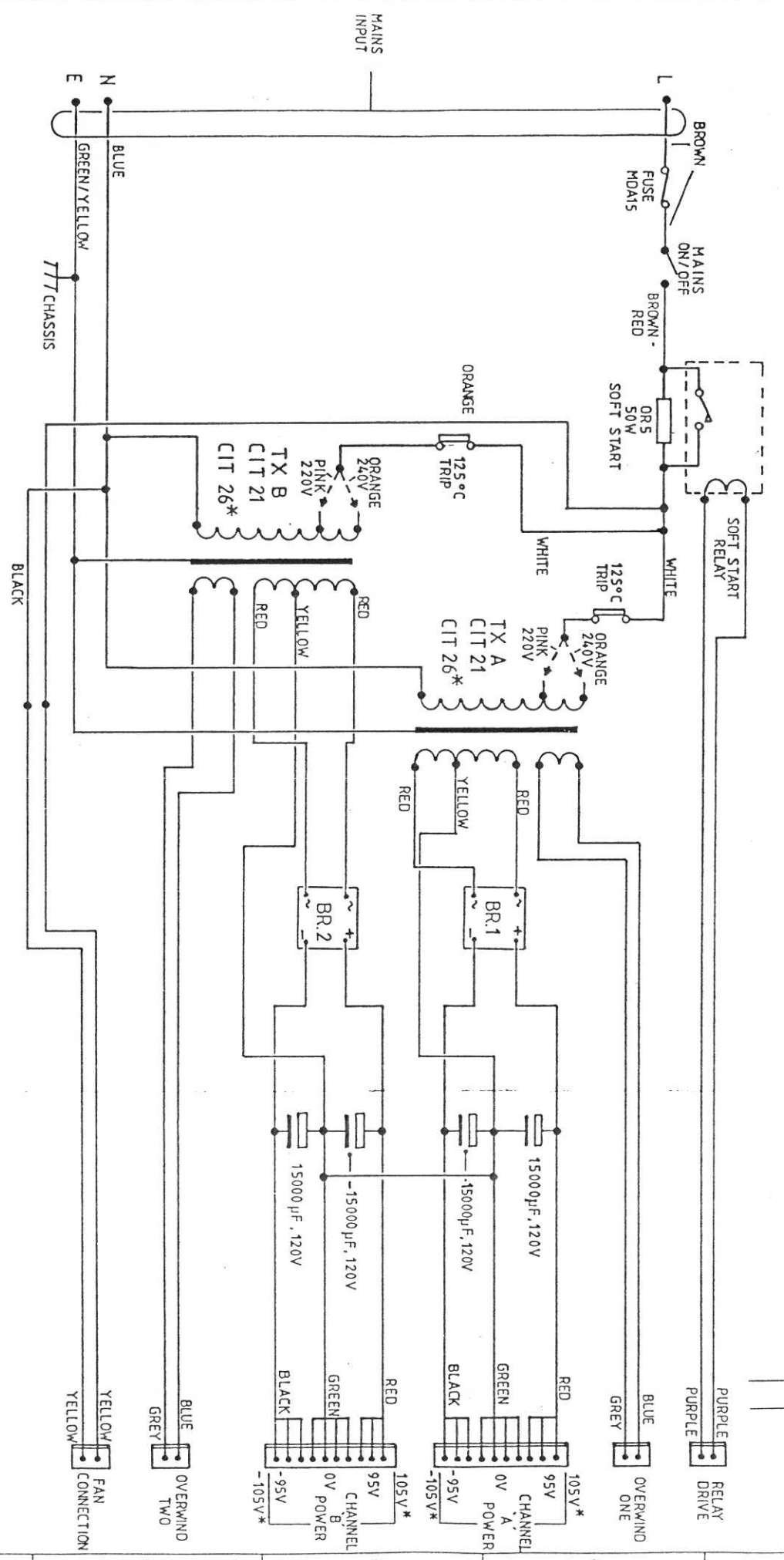
PPX 1200 AMPLIFIER  
 CHANNEL B  
 CIRCUIT DIAGRAM  
 (PC1081B.D00)

ISSUE 8 - 24.8.87  
 ISSUE 4 - 28.8.87 (H3593)  
 ISSUE 5 - 3.5.88 (H4.17)

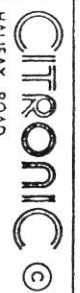
PCB1081/12

SHIT. 2  
 OF 2  
 ISSUE 5

NOTE: ALL ITEMS MARKED '\*' ARE FOR PPX 1600 ONLY.



ISS	REFERENCE
1	Rev 27-7-87
2	PPX 1600 Variations Added - 24.9.87



HAULFAX ROAD,  
BOWERHILL, MELKSHAM,  
WILTSHIRE  
Telephone 102251 705600

TOLERANCES  
UNLESS OTHERWISE STATED  
DIMENSIONAL ±  
ANGULAR 1

MATERIAL:  
TREATMENT:  
FINISH  
SCALE

DRAWN KJG  
ORIGIN'R SA  
CHECKED APPROVED

TITLE:  
220V & 240V PSU CIRCUIT  
DIAGRAM

USED ON:  
PPX 1200/ PPX 1600  
DRG. NO  
B 101561

SHEET  
1 of 1  
ISSUE  
2

A B C D E F G H

5

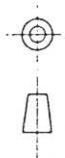
4

3

2

1

DO NOT SCALE



GREEN/YELLOW  
BLUE  
N  
E  
TT CHASSIS

BLACK

YELLOW  
YELLOW/  
CONNECTION  
BLUE  
OVERWIND  
TWO  
GREY

RED  
105V\*  
95V  
CHANNEL  
B  
0V POWER  
BLACK  
-105V\*

RED  
105V\*  
95V  
CHANNEL  
A  
0V POWER  
BLACK  
-95V  
-105V\*

PURPLE  
RELAY  
DRIVE  
PURPLE  
BLUE  
OVERWIND  
ONE  
GREY

MAINS  
INPUT

BROWN  
FUSE  
MDAM5  
ON/OFF  
HAINS  
RED

OR 5  
50W  
SOFT START

SOFT START  
RELAY

WHITE  
125°C  
TRIP

ORANGE  
125°C  
TRIP

PINK  
220V  
TX A  
CIT 21  
ORANGE  
240V  
CIT 26\*

PINK  
220V  
TX B  
CIT 21  
ORANGE  
240V  
CIT 26\*

RED  
YELLOW  
RED

BR.1

15000µF, 120V  
-15000µF, 120V

RED  
105V\*  
95V  
CHANNEL  
A  
0V POWER  
BLACK  
-95V  
-105V\*

RED  
YELLOW  
RED

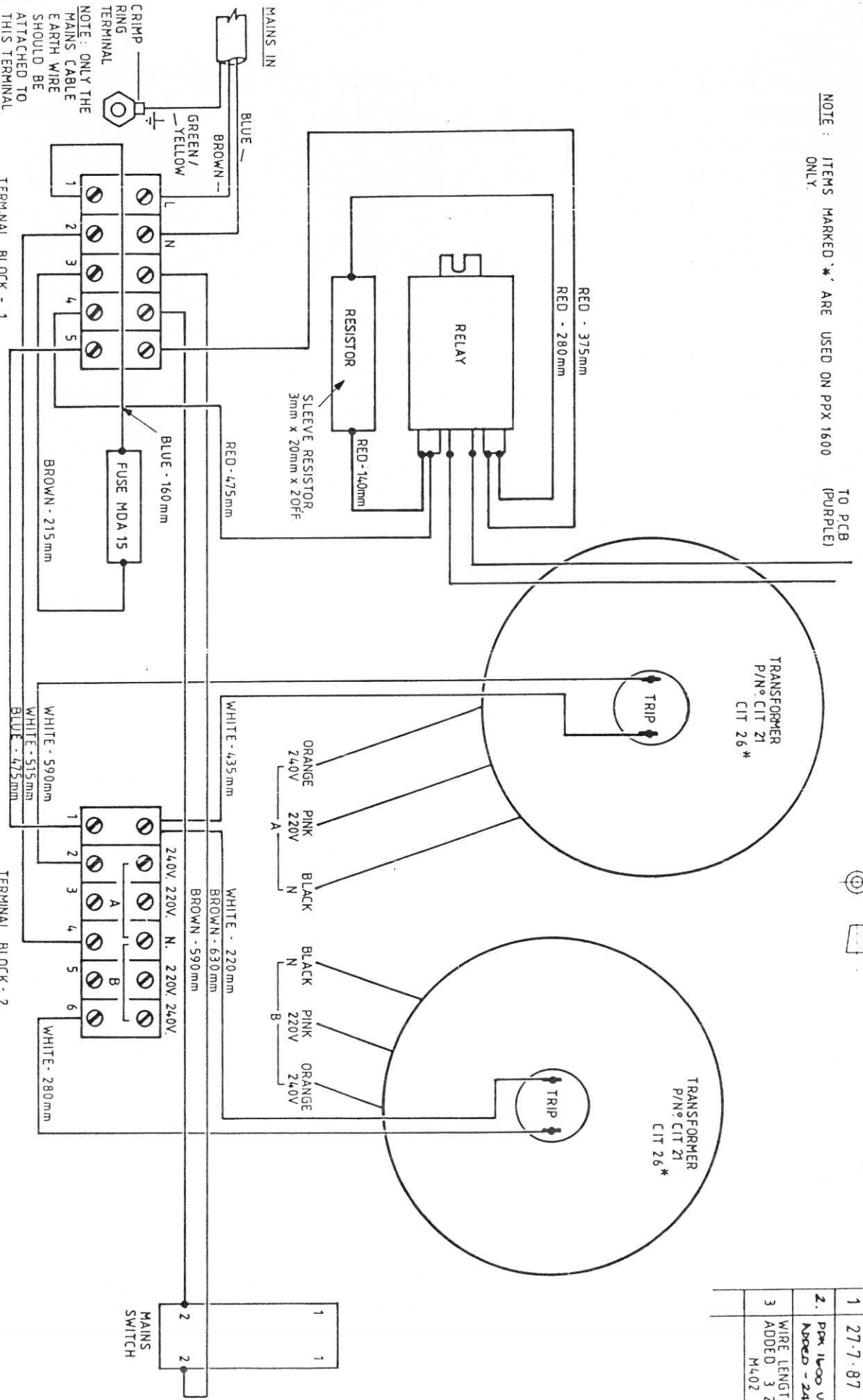
BR.2

15000µF, 120V  
-15000µF, 120V

RED  
105V\*  
95V  
CHANNEL  
B  
0V POWER  
BLACK  
-95V  
-105V\*

NOTE : ITEMS MARKED '\*' ARE USED ON PDX 1600 TO PCB (PURPLE) ONLY.

DO NOT SCALE



ISS	REFERENCE	H
1	27.7.87	
2	PDX 1600 VARIANTS ADDED - 24.9.88	
3	WIRE LENGTHS ADDED 3.2.88 H402	

**CITRONIC**

HALIFAX ROAD,  
BOWERWILL, MELKSHAM,  
WILTSHIRE  
Telephone: (02725) 706800

TELEFAXES  
DIMENSIONS STATED  
ANGULAR  
WORK TO BS 68

MATERIAL  
TREATMENT  
FINISH  
SCALE

DRAWN  
CHECKED  
APPROVED

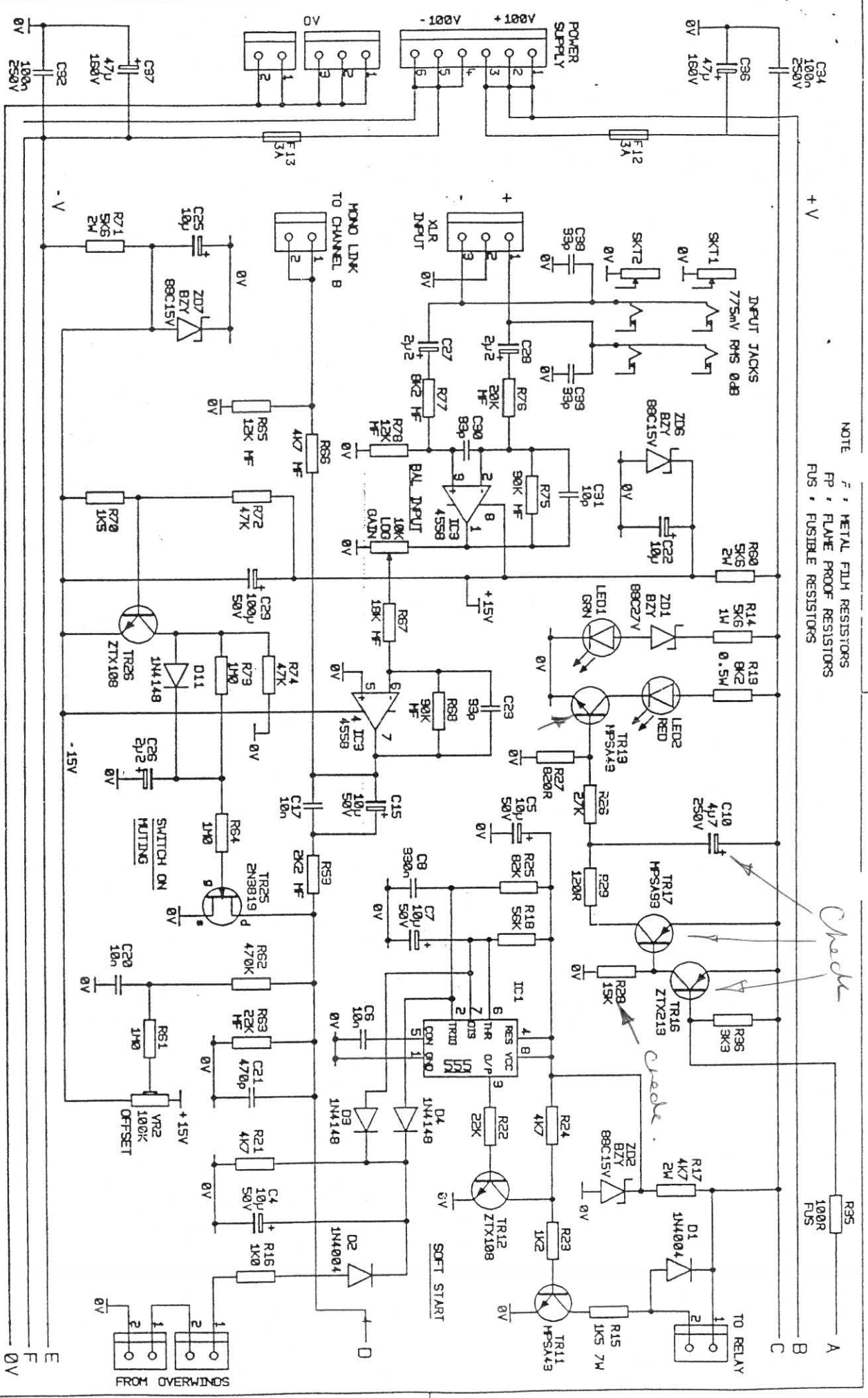
ORIGINATOR  
TITL

WIRING DIAGRAM FOR PDX 1200/1600  
MAINS

USED ON  
PDX 1200 / PDX 1600

DRG. NO.  
WD 638

SHEET  
1 of 1  
ISSUE  
3



NOTE  
 F : METAL FILM RESISTORS  
 FP : FLAME PROOF RESISTORS  
 FUS : FUSIBLE RESISTORS

PPX1200 AMPLIFIER  
 CHANNEL  
 CIRCUIT DIAGRAM

ISSUE 3 - 24.8.87  
 ISSUE 4 - 25.11.87 (H353)  
 ISSUE 5 - 3.5.88 (M4.17)

PCB1080/12

SH. 1  
 OF 2  
 ISSUE 5

*Check*

*Check*

0V  
 E  
 F